


HY-25 / 30

Rolled control box with various specifications

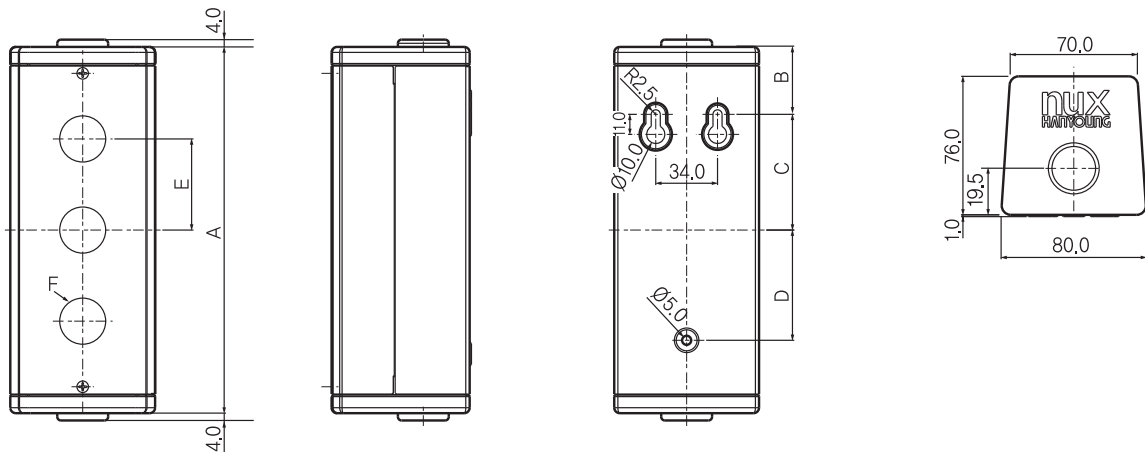
h Suffix code

Category	Code	Description
HY	- □ □	Rolled steel control box
Installation hole	25	Ø25 installation hole
	30	Ø30 installation hole
Number of holes	01	1
	02	2 (03: 3, 04: 4, 05: 5, 06: 6)

h Specifications

Appearance	Model	Material	Note
	HY-2501	Rolled steel	Ø25
	HY-2502		
	HY-2503		
	HY-2504		
	HY-2505		
	HY-2506		
	HY-3001	Rolled steel	Ø30
	HY-3002		
	HY-3003		
	HY-3004		
	HY-3005		
	HY-3006		

h External dimensions



Model	A	B	C	D	E	F
HY-2501/HY-3001	100	31.5	18.5	15.5		HY-250□: Ø25.3 ±0.1 HY-300□: Ø30.3 ±0.1
HY-2502/HY-3002	150	34	41	38	50	
HY-2503/HY-3003	200	36.5	63.5	60.5	50	
HY-2504/HY-3004	250	39	86	83	50	
HY-2505/HY-3005	300	41.5	108.5	105.5	50	
HY-2506/HY-3006	350	44	131	128	50	