



HY-606MD/MA

4-tone melody buzzer

h Suffix code

Category	Code	Description
HY-606	□	4-tone melody buzzer
Power voltage	MD	12/24 V d.c.
	MA	110 - 220 V a.c.

h Type

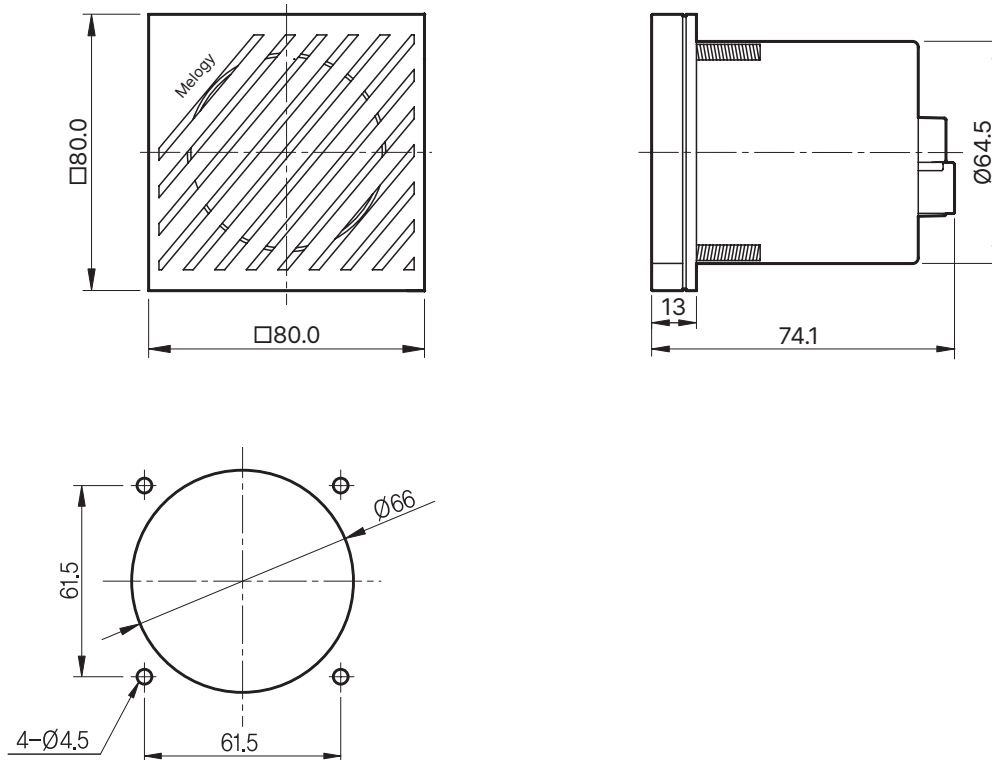
Category	Power voltage	Model
4-tone melody buzzer	12/24 V d.c.	HY-606MD
	110 - 220 V a.c.	HY-606MA

h Specifications

Model	HY-606MD	HY-606MA
Power voltage	12/24 V d.c.	110/240 V a.c.
Power frequency	-	50/60 Hz (compatible)
Power consumption	Approximately 2.5 W	
Volume	98 dB max (1 m)	
Installation hole	Panel cutout dimensions for Ø66	
Tone types	H1: Fire	
	H2: Ambulance	
	H3: Police	
	H4: Music (Für Elise)	

External dimensions

[Unit: mm]

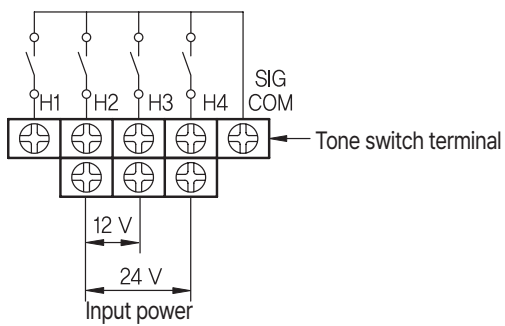


Connection diagram

Precautions

- Never apply any separate voltage to the tone switch terminal. This can cause damage to the device.
 - When wiring the terminal, use crimp/solderless terminals with an outer diameter of $\varnothing 6.0$ or less and an inner diameter of $\varnothing 3.1$ or more.
 - Apply power only after ensuring that the wiring is correct.
- * Refer to specifications for tone types (H1 to H4)

HY-606MD (for DC)



HY-606MA (for AC)

